

Industrial 4-Port Fast 1-Port Fast RJ-45 1-Port Fast SFP Ethernet Switch
Industrial 8-Port Fast 1-Port Gigabit RJ-45 1-Port Gigabit SFP Ethernet Switch
Industrial 4-Port Fast PoE+ 1-Port Fast RJ-45 1-Port Fast SFP Ethernet Switch
Industrial 8-Port Fast PoE+ 1-Port Gigabit RJ-45 1-Port Gigabit SFP Ethernet Switch
 Quick Installation Guide

Packing List

Please check the following items after unpacking, if any missing, please contact your local dealer.

Items	Quantity
Switch	1 pc
Mounting Accessory	1 set
Power Adapter(Optional)	1 pc
Quick Installation Guide	1 pc

Product Overview

This series contains these types as follow:

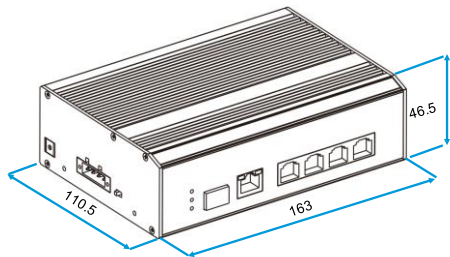
- Industrial 4-Port Fast 1-Port Fast RJ-45 1-Port Fast SFP Ethernet Switch
- Industrial 8-Port Fast 1-Port Gigabit RJ-45 1-Port Gigabit SFP Ethernet Switch
- Industrial 4-Port Fast PoE+ 1-Port Fast RJ-45 1-Port Fast SFP Ethernet Switch
- Industrial 8-Port Fast PoE+ 1-Port Gigabit RJ-45 1-Port Gigabit SFP Ethernet Switch

This series switches provide 4/8*100M Ethernet RJ-45 downlink ports, 1*100M/Gigabit Ethernet RJ-45 uplink port and 1*100M/Gigabit SFP uplink port. PoE switches all RJ-45 downlink ports support Power-over-Ethernet (PoE+) and deliver up to 30W power per port.

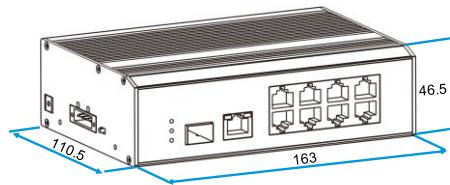
This series switches support one key smart CCTV mode. It can be widely used in video security monitoring systems, network projects, etc.

Appearance and Dimensions

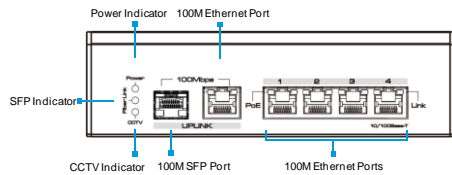
4 + 2Ports Switch Dimensions (mm)



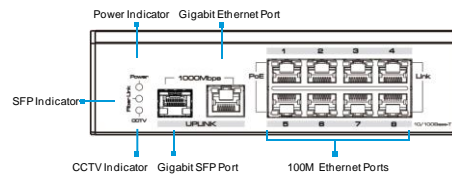
8 + 2 Ports Switch Dimensions (mm)



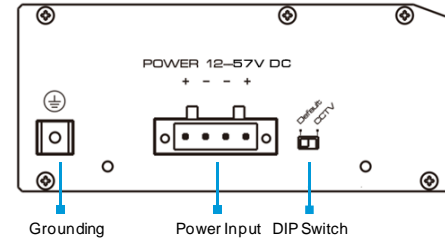
4 + 2 Ports Switch Front Panel



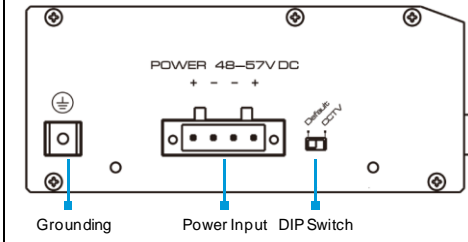
8 + 2 Ports Switch Front Panel



Non PoE Switch Side Panel



PoE Switch Side Panel



Indicator

Indicator	Status	Description
Power	Power supply indicator	Solid on Power supply is on.
	Off Power supply is off.	
Fiber Link	SFP port link indicator	On SFP port is linking normally.
	Blink SFP port is transmitting or receiving data.	
	Off SFP port is linking down.	
CCTV	CCTV indicator	On CCTV mode is on.
	Off CCTV mode is off.	

DIP Switch

The switches support 2 working modes through DIP switch.

Mode	Description
Default	Default mode: disable CCTV function.
CCTV	CCTV mode: the transmission distance is extended up to 250m, but the rate is limited to 10Mbps. This mode supports VLAN (all downlink ports are isolated from each other, but can communicate with uplink ports) and restrain network storm, PoE switch supports PoE watchdog.

Caution

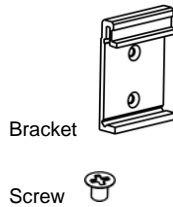
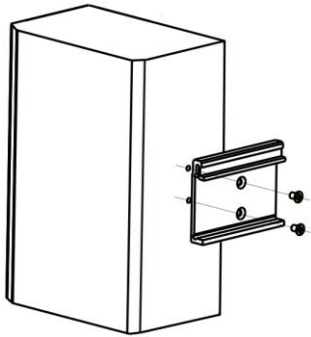
- Power on the system only after confirming that the wiring is correct, to avoid damage to the equipment. It is recommended to use the power adapter and power cable in the package to connect the power supply.
- For better transmission performance, it is recommended to use Cat5 or better Ethernet cable to connect the switch and powered devices.
- For better protection performance, it is recommended to always make the ground connection first and disconnect it at the end when operating the device.
- Before operating or maintaining the switch, please read the user manual carefully to avoid equipment damage caused by misoperation.

Product Installation

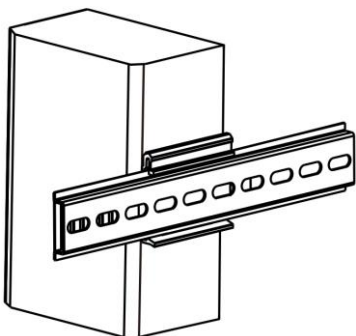
- 1) Before installation, power off the equipment. Installation when device is powered on is prohibited.
- 2) The switch supports DIN-rail/Desktop/Wall mounted installation. Following with the DIN-rail installation steps:

Step a: Fix the bracket to the backside of the device with screws.

Accessories



Step b: Install the device to the DIN rail.



- 3) After the above steps are completed, connect the switch and other equipment using a high-performance Ethernet cable.
- 4) Check the installation and the wiring. After confirming that the connection is correct and reliable, power on the switch.
The installation is completed.

Specifications

Items	4+ 2 Ports Switch	8 + 2 Ports Switch
Hardware Specifications		
Downlink Port	4*10/100Base-T PoE+ RJ-45(Auto-MDI/MDI-X)	8*10/100Base-T PoE+ RJ-45(Auto-MDI/MDI-X)
Uplink Port	1*10/100Base-T RJ-45 1*100Base-FX SFP	1*10/100/1000Base-T RJ-45 1*1000Base-X SFP
LED Indicator	1*Power indicators 1*Fiber link indicator 1*CCTV indicator 4*Downlink port Link/ACT indicators 4*Downlink port PoE indicators(For PoE switch only) 1*Uplink port Link/ACT indicator	1*Power indicators 1*Fiber link indicator 1*CCTV indicator 8*Downlink port Link/ACT indicators 8*Downlink port PoE indicators(For PoE switch only) 1*Uplink port Link/ACT indicator
DIP Switch	CCTV mode: the transmission distance is extended up to 250m, but the rate is limited to 10Mbps. This mode supports VLAN (all downlink ports are isolated from each other, but can communicate with uplink ports) and restrain network storm, PoE switch supports PoE watchdog.	
Input Voltage	Non PoE switch: 12~57V DC PoE switch: 48~57V DC	
Power Consumption	≤5W (Full load without PoE)	≤5W (Full load without PoE)
Dimension(W*D*H)	163mm*110.5mm*46.5mm	
Material	Metal shell	
Installation	DIN-rail/desktop/wall mounted	
Switch Property		
Standards	IEEE 802.3, IEEE 802.3u, IEEE 802.3x	IEEE 802.3, IEEE 802.3u, IEEE 802.3ab, IEEE 802.3z, IEEE 802.3X
Forwarding Modes	Store and Forward	
Packet Buffer	512k	1M
MAC Table	2k	8k
Switching Capacity	1.2Gbps/non-blocking	5.6Gbps/non-blocking
Packet Forwarding Rate	0.9Mpps	4.2Mpps
Jumbo Frame	1632 bytes	1632 bytes
Reliability		
Surge Immunity	6kV, Standard: IEC6000-4-5	
ESD	6kV Contact Discharge, 8kV Air Discharge, standard: IEC61000-4-2	
Operating Temperature	-40°C ~75°C	
Storage Temperature	-40°C ~85°C	
Operating Humidity	5%~95% (Non-condensation)	
Certifications		
Certifications	CE, FCC	
PoE	4 + 2 Ports PoE Switch	8 + 2 Ports PoE Switch
PoE Standard	IEEE 802.3af/at(PSE)	
PoE Power Supply Type	End-span	
PoE Pin Assignment	1/2(+), 3/6(-)	
PoE Power Output	44~57V DC	
PoE Power	30W max for each port, 60W max for whole switch	30W max for each port, 120W max for whole switch

Version: V1.0, updated 2023-04-12.

The information in this document is subject to change without notice.

Every effort has been made in the preparation of this document to ensure accuracy of the contents, but all statements, information, and recommendations in this document do not constitute a warranty of any kind, express or implied.